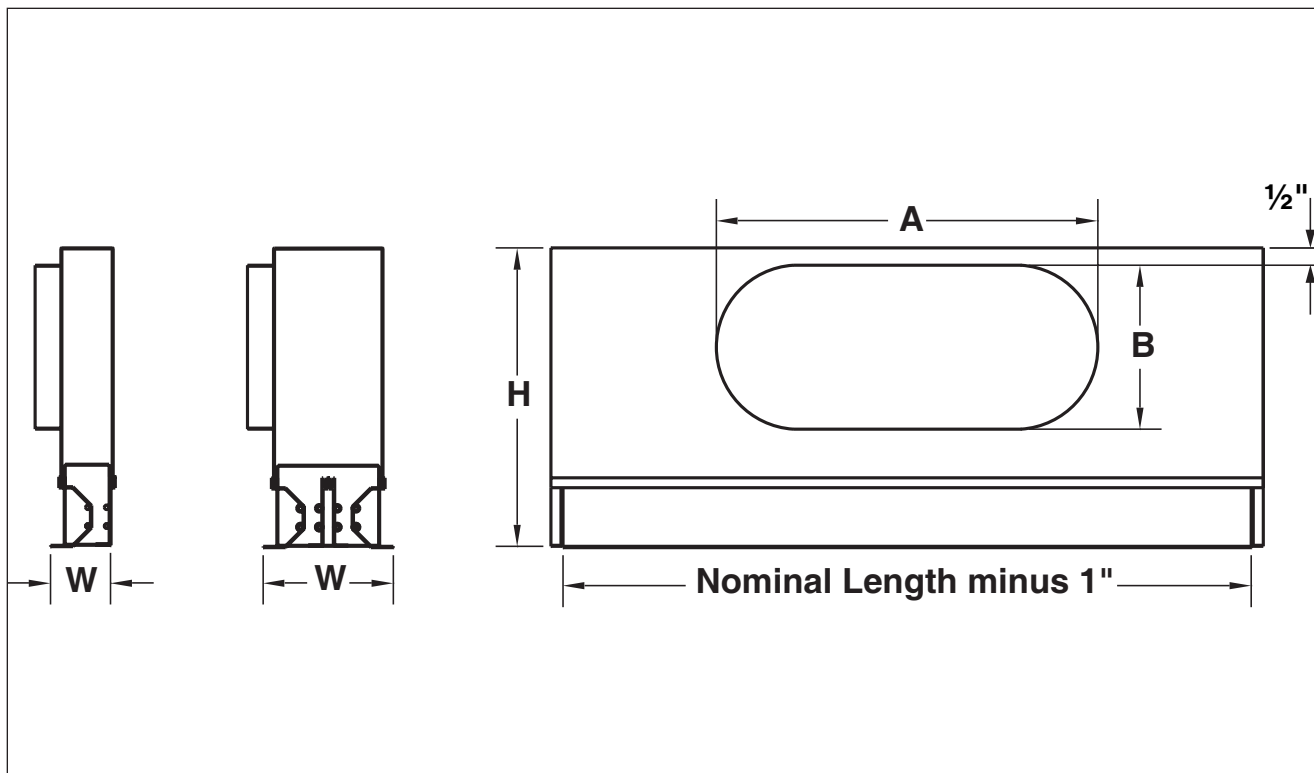


T-SLOT DIMENSIONS



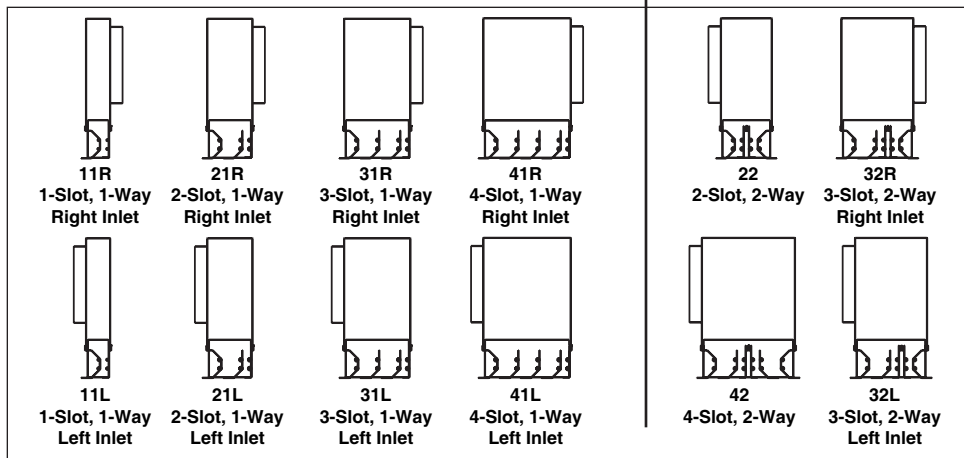
Standard Inlet Size	A	B	H
6 Oval	6¼	5¼	10
8 Oval	9	5¼	10
10 Oval	12½	5¼	10

Available Length L	Standard Inlet Sizes
24	6, 8, 10
36	
48	
60	

Pattern	W
11R	2
11L	2
21R	3½
21L	3½
31R	5
31L	5
41R	6½
41L	6½

Patterns for 1-Way Diffusers

Patterns for 2-Way Diffusers



Pattern	W
22	4
32R	5
32L	5
42	7