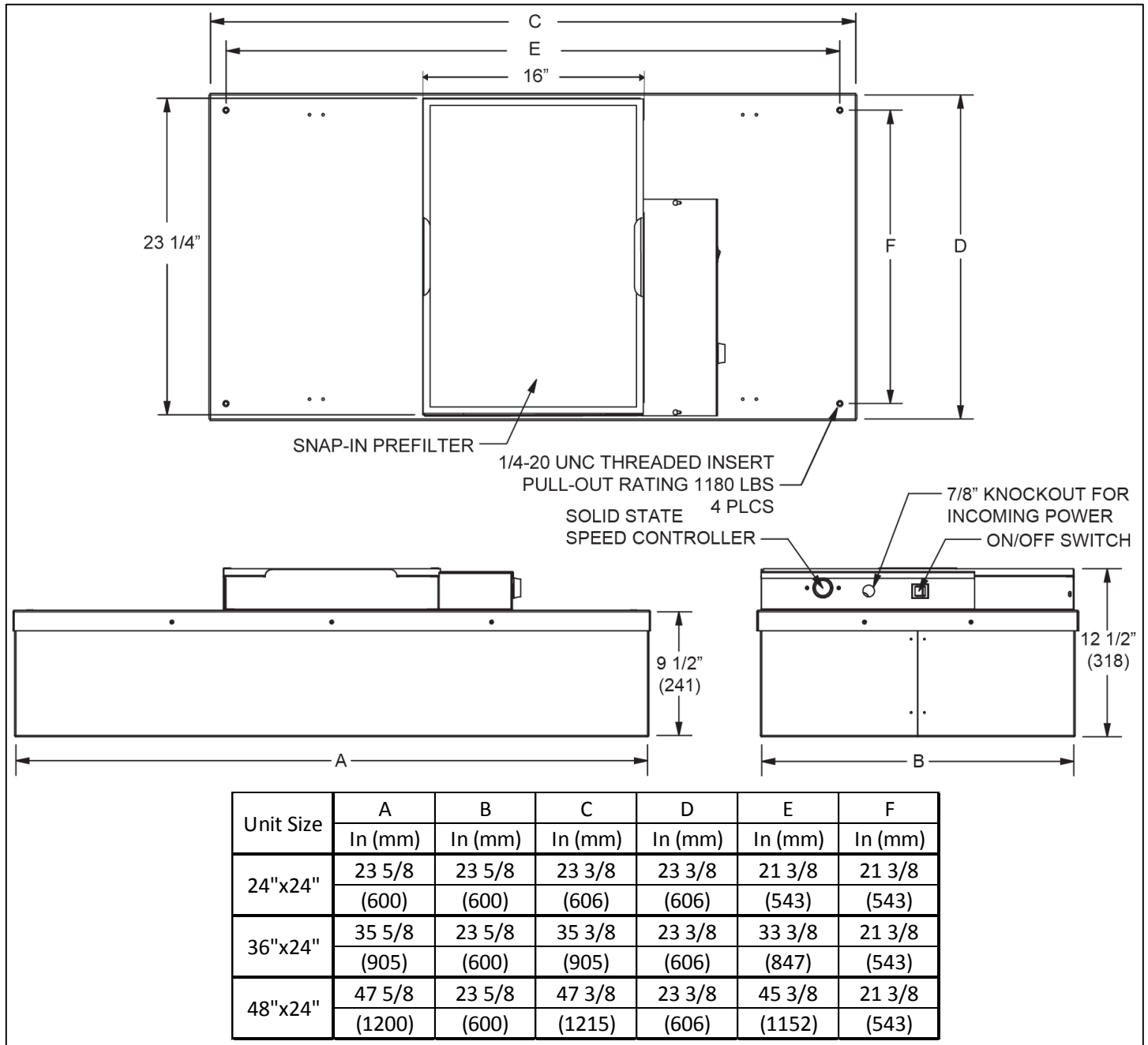


FFD • Fan Filter Diffusers • PSC Motor


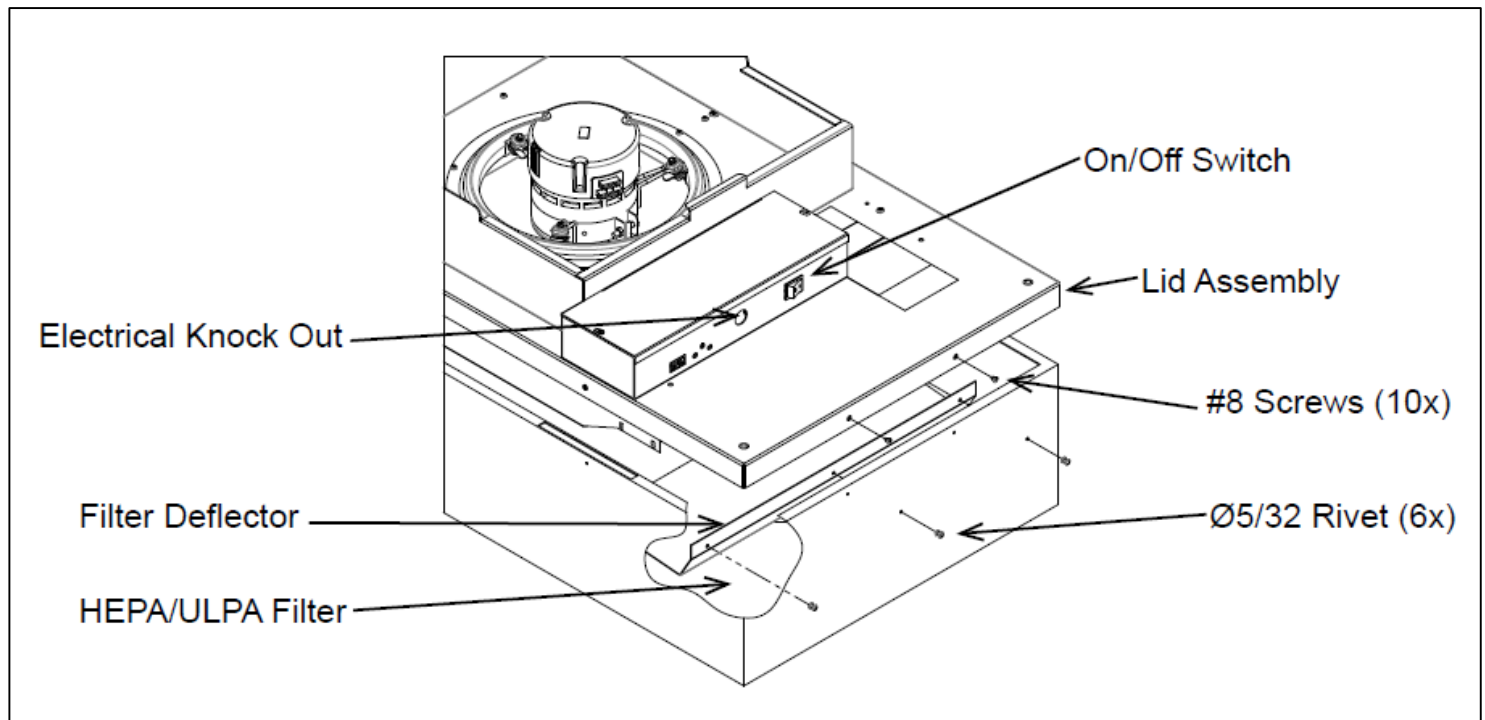
General Description

- Titus Fan Filter Diffusers provide constant unidirectional airflow to occupied space
- FFD offers high performance, low energy consumption & low noise levels for use in cleanroom applications
- Low profile design is great for applications with limited ceiling plenum space
- Walkable plenum (excluding pre-filter), rated at 250 lbs
- PSC motor with solid state speed control
- Forward curved centrifugal fan
- Snap-in prefilter allows for easy replacement and maintenance
- Tested to IEST recommended standards
- UL 507 Listed with standard UL 900 filters

This submittal is meant to demonstrate general dimensions of this product. The drawings are not meant to detail every aspect of the product. Drawings are not to scale.

Titus reserves the right to make changes without written notice.

HEPA filter, Pre-filter & Lid assembly



Basic Unit Configuration

Check if provided.

Module Size

- 24" x 24"
 36" x 24"
 48" x 24"

Duct Collar

- None
 10" Inlet (Shipped Loose)
 12" Inlet (Shipped Loose)

Unit Construction

- Aluminum Face & Plenum
 Stainless Steel Face / Aluminum Plenum
 Stainless Steel Face & Plenum

Finish

- #04 Mill Finish

Motor Type

- 115V/ 60 Hz/ 1 Phase ; FLA = 3.0A
 230V/ 50/60 Hz/ 1 Phase ; FLA = 1.5A (CE Certified)
 208-240V/ 50/60 Hz/ 1 Phase ; FLA = 1.5A
 277V/ 60 Hz/ 1 Phase ; FLA = 1.2A

Control Type

- Unit Mounted SCR Control
 Remote Mounted SCR Control
 Network Control Card

Filter Type

- HEPA (99.99% @ 0.3 micron)
 ULPA (99.9995% @ 0.12 micron)
 PTFE (Boron-free ULPA filter)

Accessories (Optional)

Check if provided.

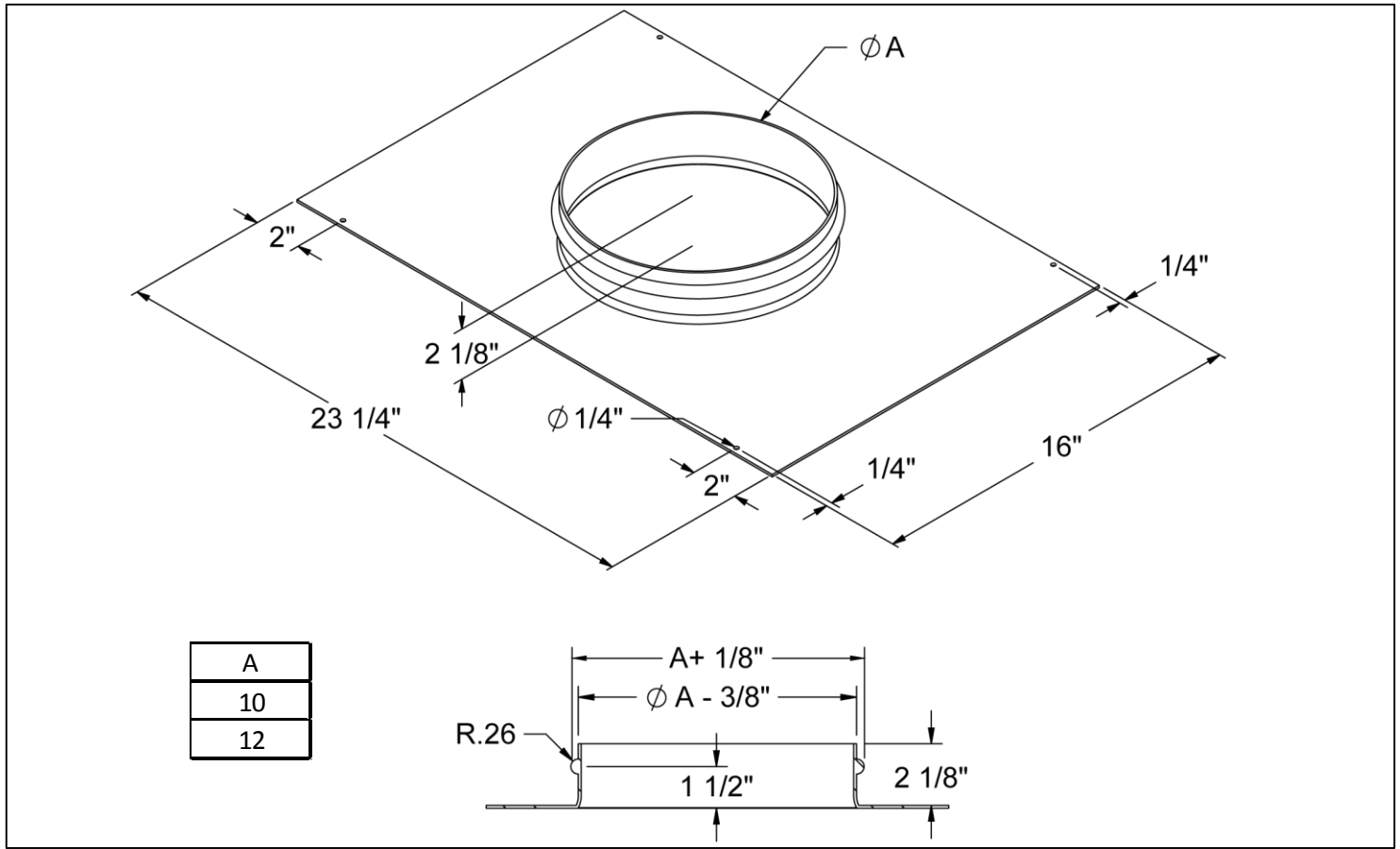
- Airflow Indicator Light (GREEN) Filter Load Indicator (RED) Continuous Filter Monitoring (0-10 V signal)
 Aerosol Challenge Port Surface Mount Adapter

This submittal is meant to demonstrate general dimensions of this product. The drawings are not meant to detail every aspect of the product. Drawings are not to scale.

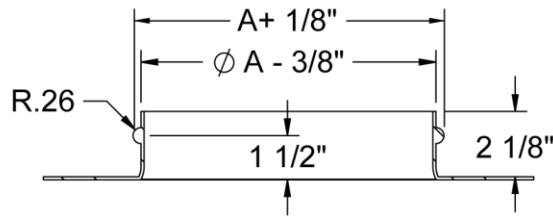
Titus reserves the right to make changes without written notice.

All rights reserved. No part of this work may be reproduced or transmitted in any form or by any means, electronic or mechanical, including photocopying and recording, or by any information storage retrieval system without permission in writing from Air Distribution Technologies.

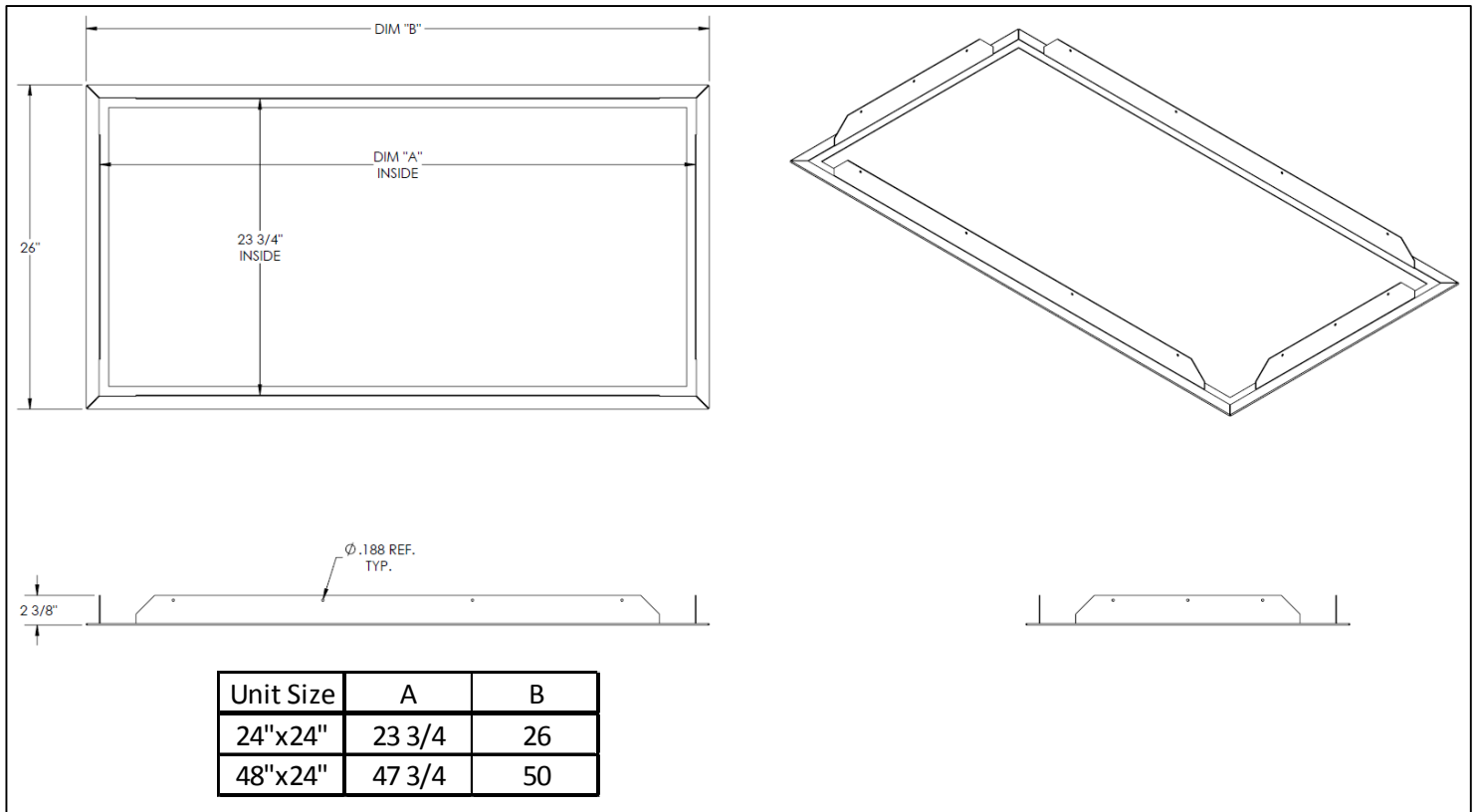
Inlet Adapter Accessory Detail



A
10
12



Surface Mount Adapter Accessory Detail



Unit Size	A	B
24"x24"	23 3/4	26
48"x24"	47 3/4	50

This submittal is meant to demonstrate general dimensions of this product. The drawings are not meant to detail every aspect of the product. Drawings are not to scale.

Titus reserves the right to make changes without written notice.

All rights reserved. No part of this work may be reproduced or transmitted in any form or by any means, electronic or mechanical, including photocopying and recording, or by any information storage retrieval system without permission in writing from Air Distribution Technologies.