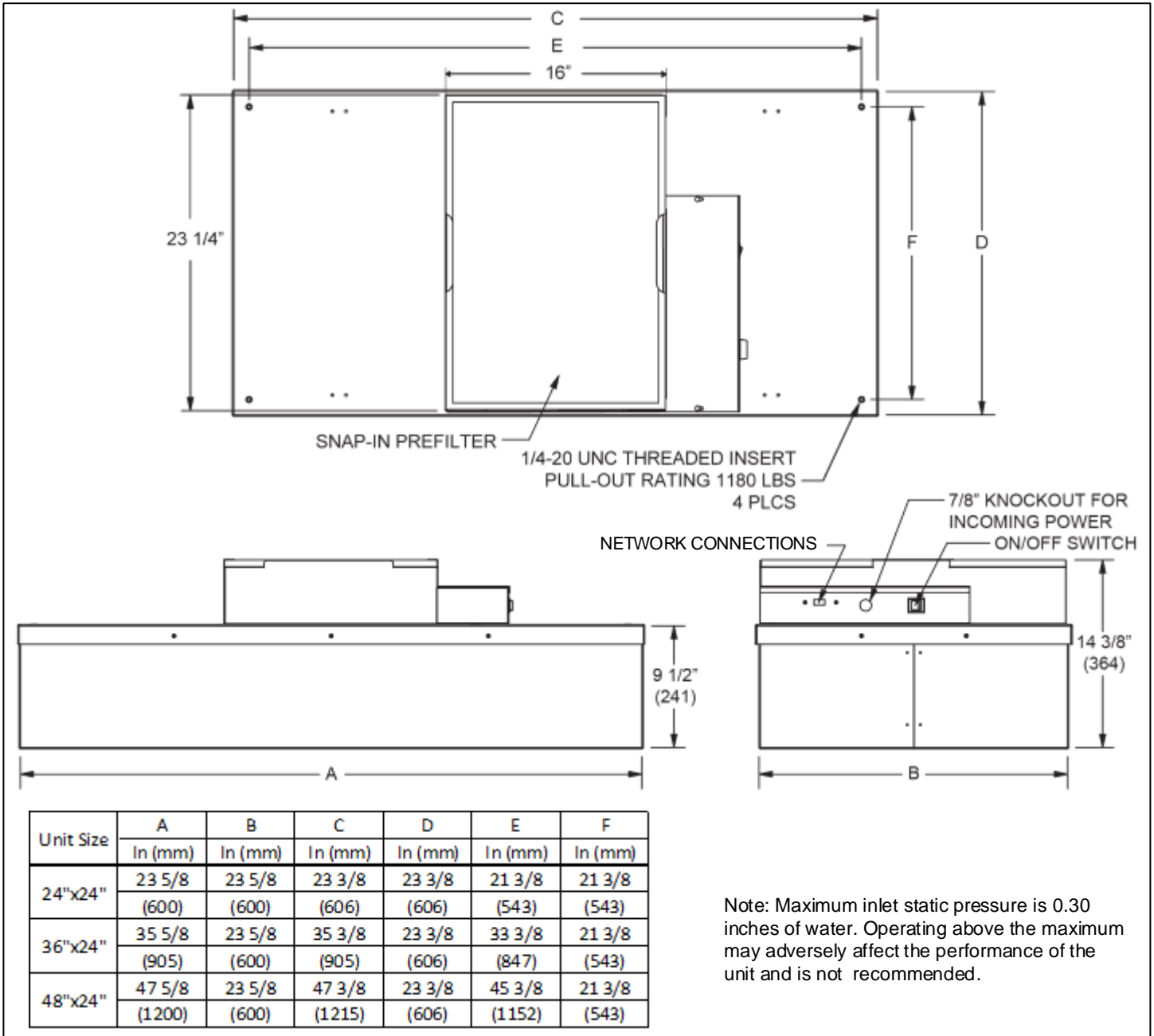
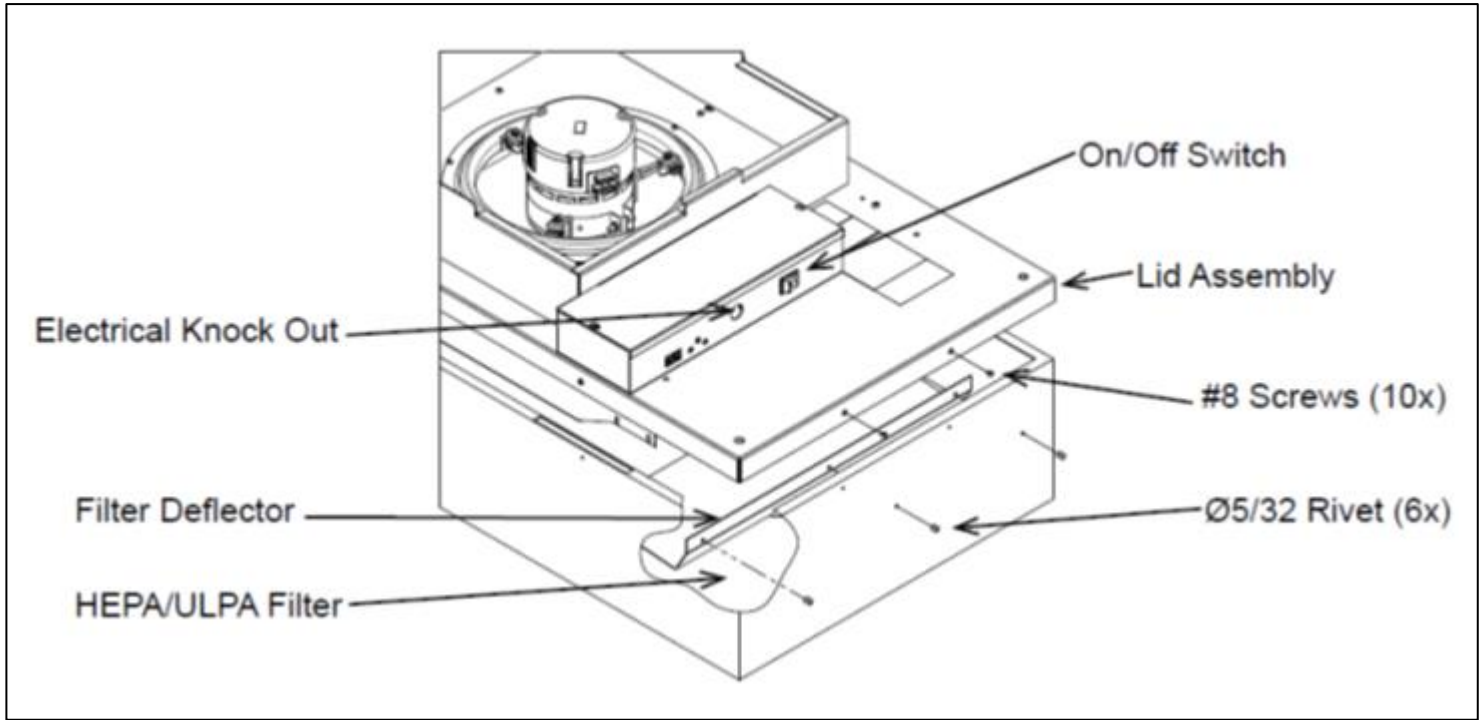


FFDE • Fan Filter Diffusers • ECM Motor

General Description

- Titus Fan Filter Diffusers provide constant unidirectional airflow to occupied space
- FFDE offers high performance, low energy usage & low noise levels for use in cleanroom applications
- Low profile design is great for applications with limited ceiling plenum space
- Walkable plenum (excluding pre-filter), rated at 250 lbs
- EC motor with universal control card
- Forward curved centrifugal fan
- Snap-in prefilter allows for easy replacement and maintenance
- Tested to IEST recommended standards
- UL 507 Listed with standard UL 900 filters

HEPA filter, Pre-filter & Lid assembly



Basic Unit Configuration

Check if provided.

Module Size

- 24" x 24"
- 36" x 24"
- 48" x 24"

Duct Collar

- None
- 10" Inlet (Shipped Loose)
- 12" Inlet (Shipped Loose)

Unit Construction

- Aluminum Face & Plenum
- Stainless Steel Face / Aluminum Plenum
- Stainless Steel Face & Plenum

Accessories (Optional)

Check if provided.

- Airflow Indicator Light (GREEN)
- Filter Load Indicator (RED)
- Continuous Filter Monitoring (0-10 V signal)
- Surface Mount Adapter

Finish

- #04 Mill Finish

Motor Type

- 115V/ 60 Hz/ 1 Phase ; FLA = 5.0A
- 230V/ 50/60 Hz/ 1 Phase ; FLA = 3.0A (CE Certified)
- 208-240V/ 50/60 Hz/ 1 Phase ; FLA = 3.0A
- 277V/ 60 Hz/ 1 Phase ; FLA = 2.5A

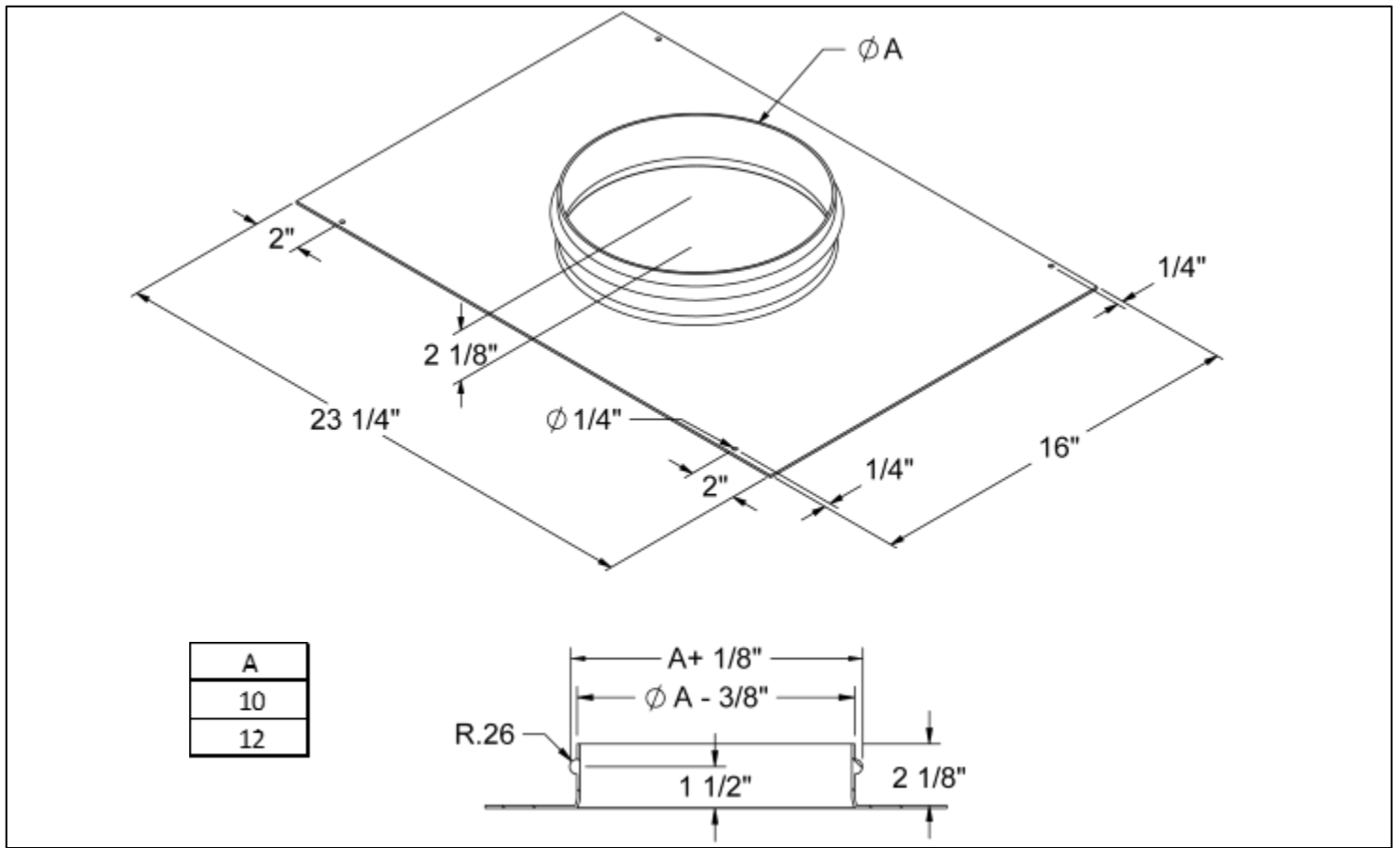
Control Type

- Universal Control Card
- Remote Mounted VCU Controller
- Infrared Speed Controller*
*Requires RCFF remote control to adjust unit airflow

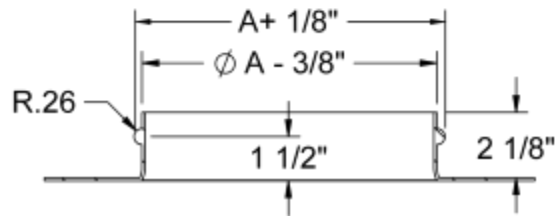
Filter Type

- HEPA (99.99% @ 0.3 micron)
- ULPA (99.9995% @ 0.12 micron)
- PTFE (Boron-free ULPA filter)

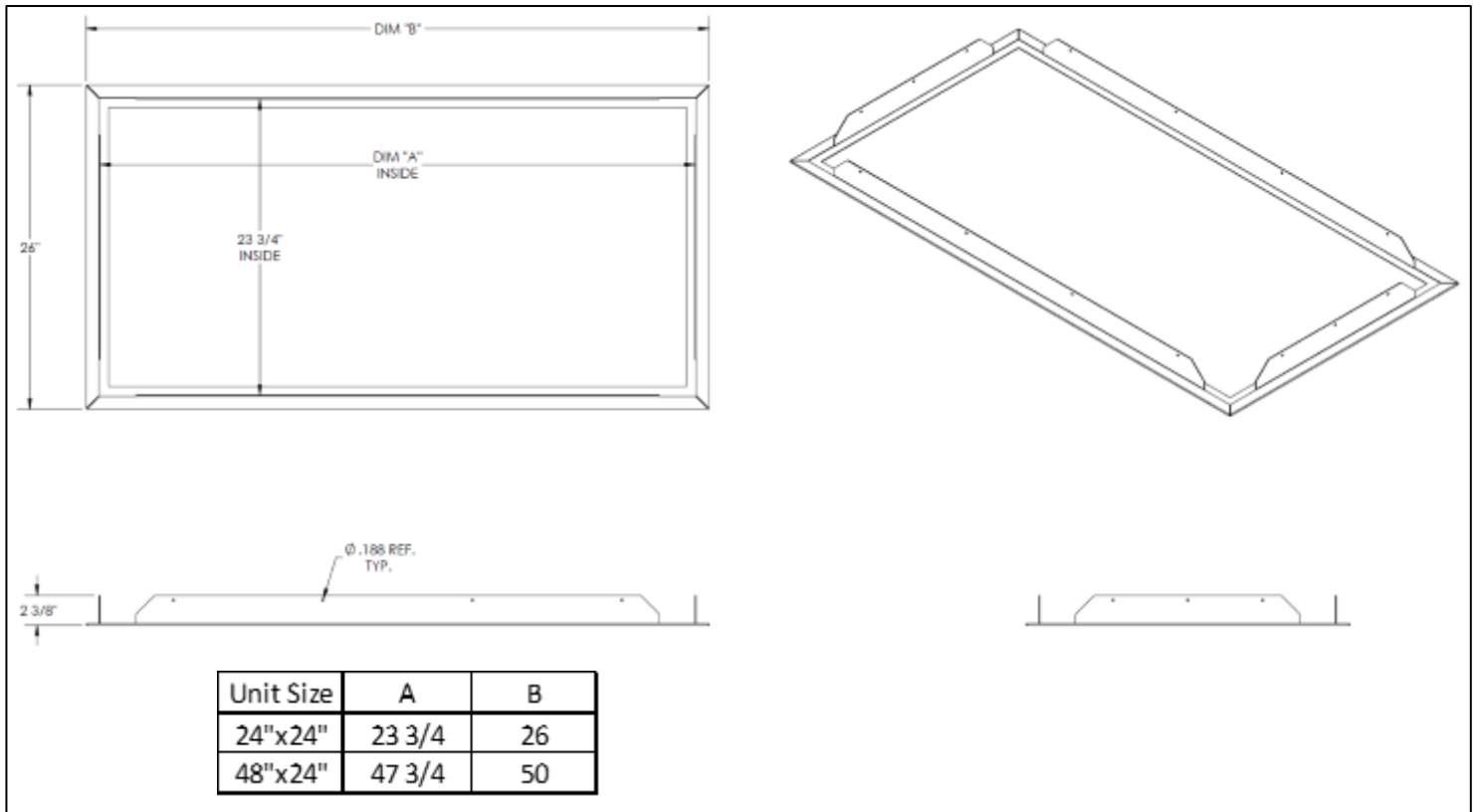
Inlet Adapter Accessory Detail



A
10
12



Surface Mount Adapter Accessory Detail



Unit Size	A	B
24"x24"	23 3/4	26
48"x24"	47 3/4	50

This submittal is meant to demonstrate general dimensions of this product. The drawings are not meant to detail every aspect of the product. Drawings are not to scale. Titus reserves the right to make changes without written notice.