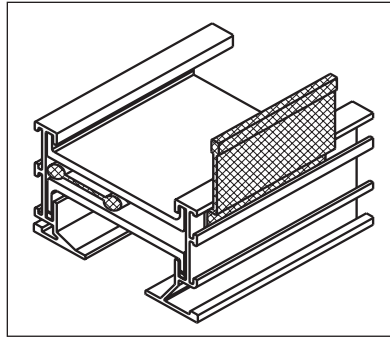
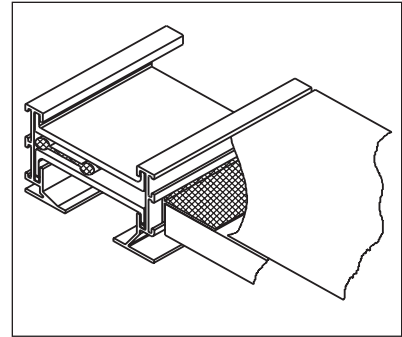


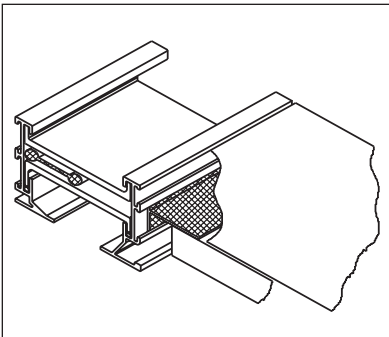
UHC
Upper Hanger Clip



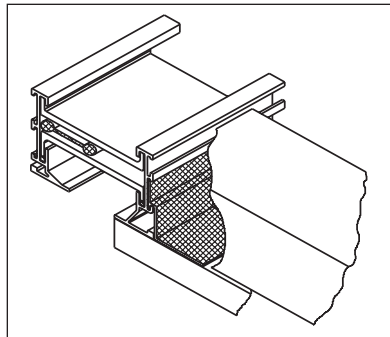
USH
Upper Support Hanger



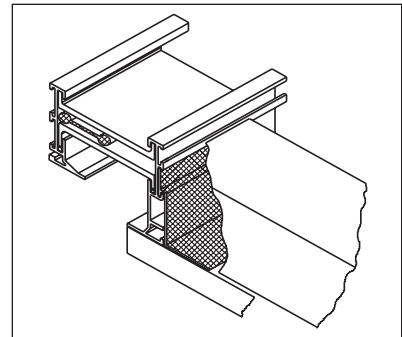
H1
Hard Ceiling Clip



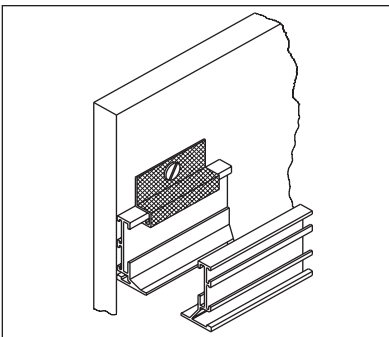
H2
Hard Ceiling Clip



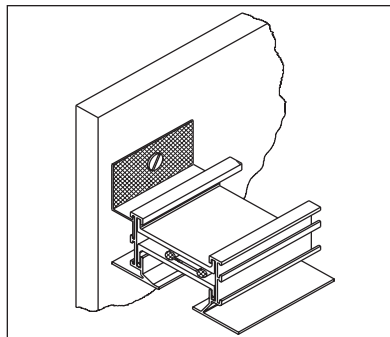
H3
Hard Ceiling Clip



H4
Hard Ceiling Clip



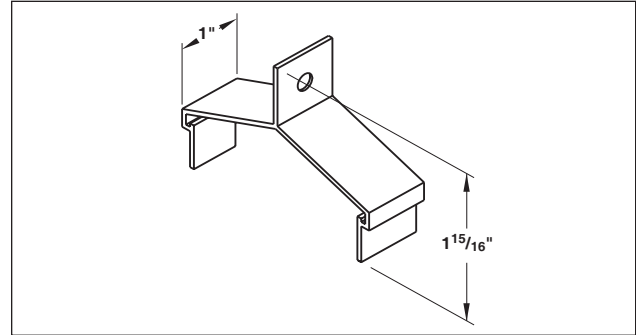
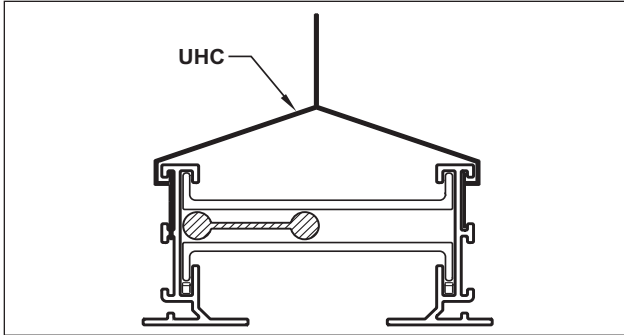
WC3
Wall Clip



WC4
Wall Clip

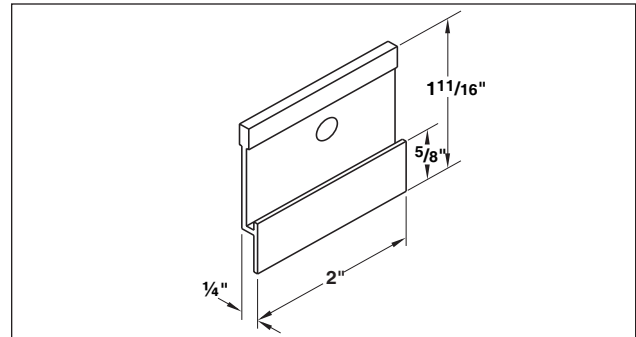
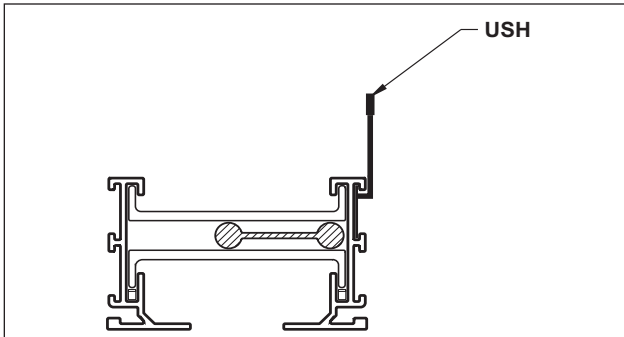
UHC - UPPER HANGER CLIP

The UHC - Hanger Clip is used to suspend the FlowBar assembly from the structure. The clip is designed to utilize standard ceiling hanger wire. UHC is for 1-slot only and FL-10, 15, 20.



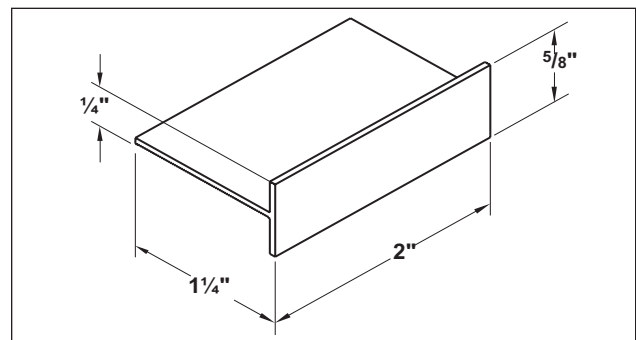
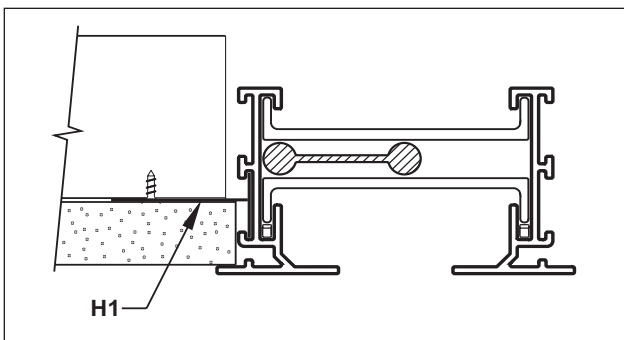
USH - UPPER SUPPORT HANGER

The USH - Support Hanger is used to suspend one side of the FlowBar assembly from the structure. The hanger is designed to utilize standard ceiling hanger wire. Use the USH clip for FL-25 and 30 and all 2-slot units.



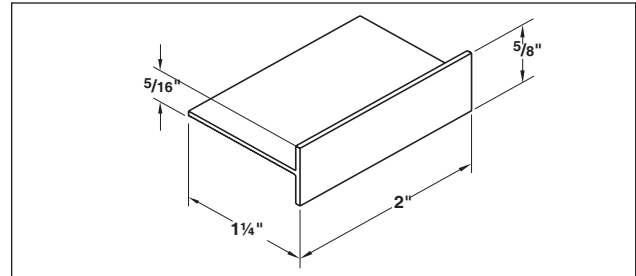
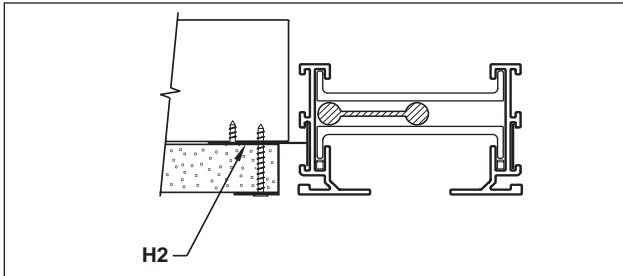
H1 - HARD CEILING CLIP

The H1 - Hard Ceiling Clip is used to mount the FlowBar assembly with border type(s) 66 or 16, when a standard 5/8" gyp board ceiling is required.



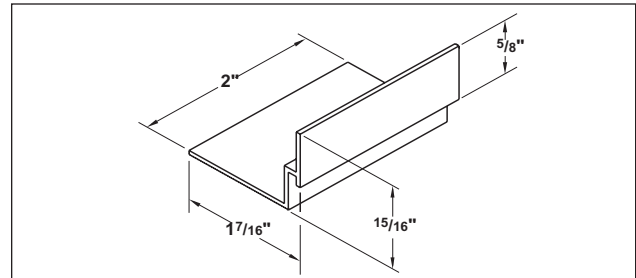
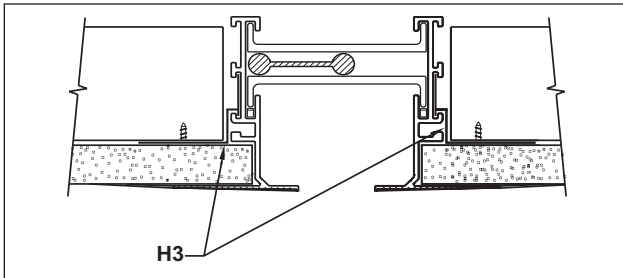
H2 - HARD CEILING CLIP

The H2 - Hard Ceiling Clip is used to mount the FlowBar assembly with border type(s) 11 or 16, when a standard $\frac{5}{8}$ " gyp board ceiling is required.



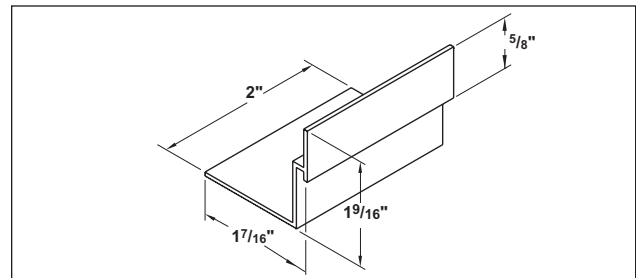
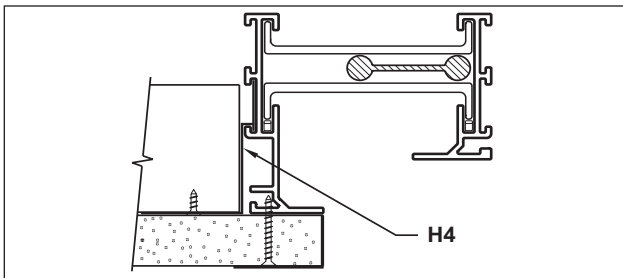
H3 - HARD CEILING CLIP

The H3 - Hard Ceiling Clip can be used to mount the FlowBar assembly with border types 22 and 14 when a standard $\frac{5}{8}$ " gyp board ceiling is required.



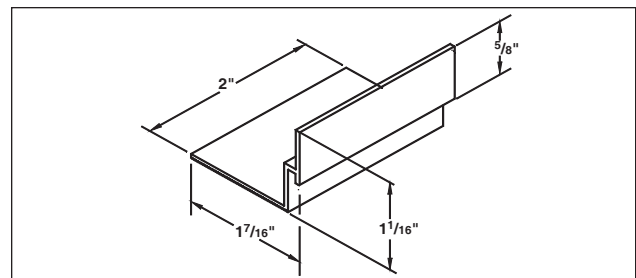
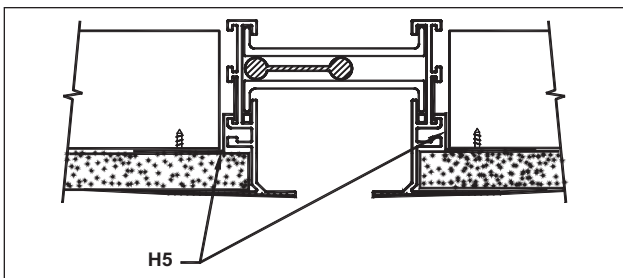
H4 - HARD CEILING CLIP

The H4 - Hard Ceiling Clip is used to mount the FlowBar assembly with border type(s) 66 or 16, when a standard $\frac{5}{8}$ " gyp board ceiling is required.



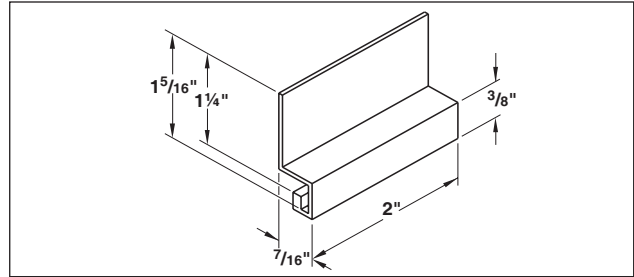
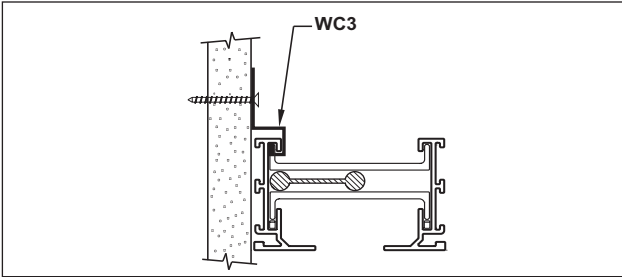
H5 - HARD CEILING CLIP

The H5 - Hard Ceiling Clip is used to mount FL10, 15 or 20 border 22 to $\frac{1}{2}$ " gyp board.



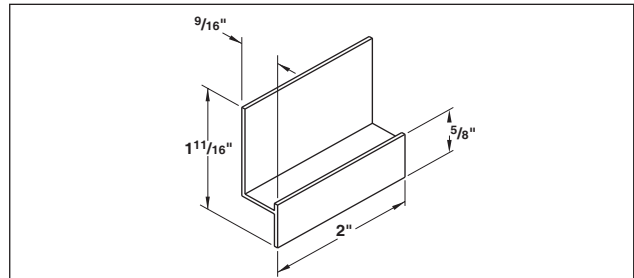
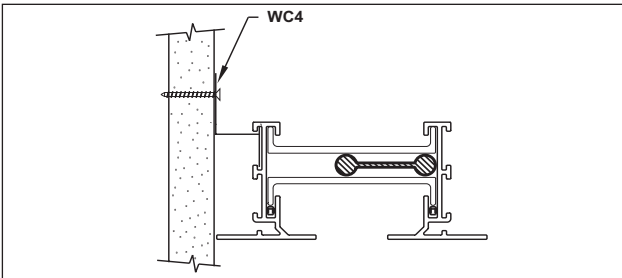
WC3 - WALL CLIP

The WC3 - Wall Clip is used to flush mount the FlowBar assembly, with border type 11 to a wall.



WC4 - WALL CLIP

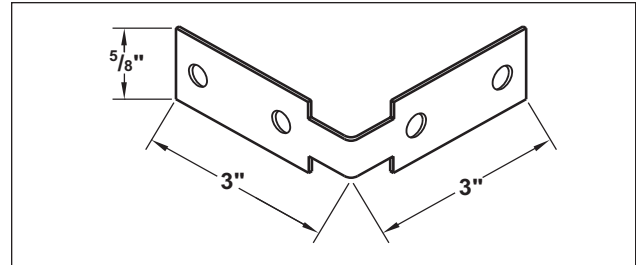
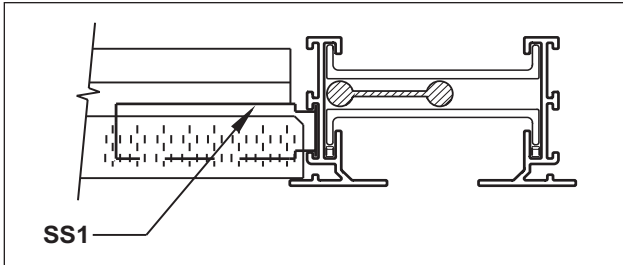
The WC4 - Wall Clip is used to flush mount the FlowBar assembly, with border types 16 or 66 to a wall.



MOUNTING HARDWARE

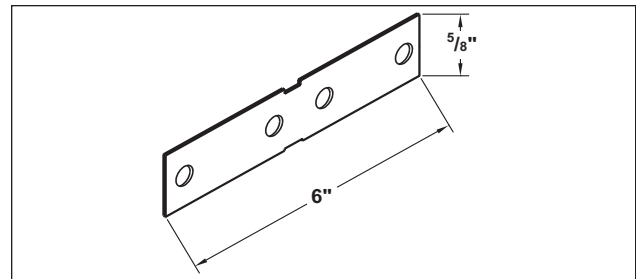
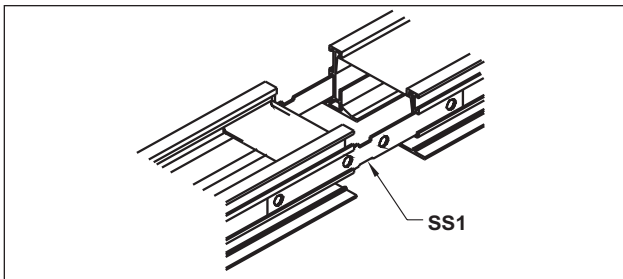
SPLINE SUPPORT CLIP (FIELD FORMED)

The SS1 - Spline Clip is used to attach drop ceiling "tees" to the FlowBar assembly.



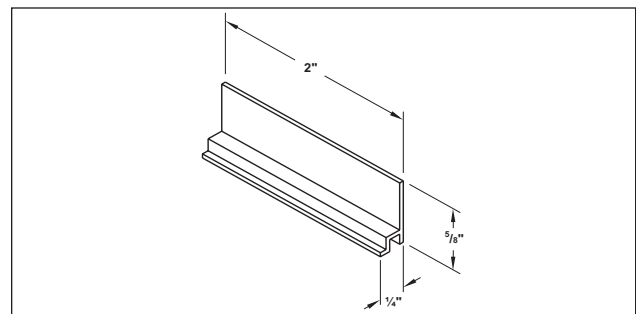
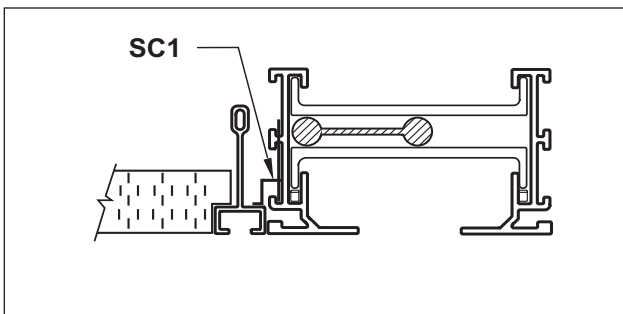
SPLINE SUPPORT CLIP (AS SHIPPED)

The SS1 - Spline Clip is also used to adjoin multiple sections of FlowBar when continuous lengths are desired.



NARROW TEE SUPPORT CLIP

The SC1 - Support Clip is used to support the Narrow Tee assembly with border type 11 suspension systems.



Border Type	1-Slot FlowBar	2-Slot FlowBar
11	H2, WC3, USH, UHC, SC1	H2, WC3, USH, SC1
14	H3, H4, USH, UHC	N/A
22, 55	H3, H4, H5, USH, UHC	H3, H4, H5
66, 77	H1, WC4, UHC	H1, WC4, USH
16	H1, H2, WC4, UHC, USH, SC1	H1, WC4, USH
55	H3, H4, H5, USH, UHC	H3, H5